



C6S C4S

INSTRUCTION MANUAL

INTRODUCTION

Thank you for purchasing CRC C6S(C4S) 10A/80W(6A/50W) 11-18V DC balance charger. Please read this manual carefully before using this product.

CRC C6S(C4S) is an economic, easily use, but high efficiency balance charger, especially designed for charging LiPo, LiFe and Lilo batteries from 1-6 cells in balance mode. The circuit power is 80W(50W) and max charge current can reach to 10A(6A). There is a 0.5-10A(0.5-6A) current rotary switch on the panel, you could select the proper charge current according to the battery.

DC 11-18V Input MetalSocket



Charge Current Rotary Switch

Cell 1-6 LED Indicators

Battery Type Slide Switch

Balance Sockets



Charge Output Socket

PRODUCT CONTAINS

C6S(C4S) Charger



DC Input Cable



Charge Output Cable



Instruction Manual



Thank you for purchasing CRC C6S(C4S) 10A/80W(6A/50W) 11-18V DC balance charger. Please read this manual carefully before using this product.

USE GUIDELINE

CRC C6S(C4S) can ONLY work under 11-18V DC, and ONLY charge LiPo, LiFe and Lilo battery. Please check your power supply and battery whether it is suitable for.

Please refer to the following steps to charge the battery:

1. Connect C6S(C4S) with a 11-18V DC power supply by the DC input socket, with a short "Bee" sound, all LED show a green and red line passing, C6S(C4S) is standby.
2. Select the battery type LiPo/LiFe/Lilo by the toggle switch.
3. Select the proper charge current 0.5-10A by the rotary switch.
4. Put the battery's balancing connector to the balance socket.
5. Connect the charging cable of the battery to the charge socket, with a long "Bee" sound(Normal charge:"Bee Bee Bee...Bee....."), starts charging.
6. When the LED glow constantly in green with a "Bee Bee.....Bee Bee....." sound, battery charged finished.

Important Notes:

1. Only connect the charging cable will enter normal charging. We do not recommend this type of charging, if you insist, please pay attention to the LED indicator whether it's consistent with the cell count of the battery.
2. Always keep an eye on the charger during charging the battery.

WORK STATUS

STATUS	SPECIFY	REMARK
LED constantly glow red	Charging	Each LED shows each cell
LED flash red	Balancing	Each LED shows each cell
LED constantly glow green	Battery charged finished	Each LED shows each cell
All LED show a green and red line passing with a short "Bee" sound	C6S is standby	
All LED flash red and green with "Bee...Bee..." sound	Positive and negative are reverse of the connection between the charger and battery	Reconnect the power supply and correct the connection between the charger and battery.
All LED flash green with "Bee...Bee..." sound	Input power voltage lower than 11V	If the power voltage return to the right range, charging will continue with a long "Bee" sound.
All LED flash red with "Bee... Bee..." sound	Input power voltage higher than 18V, or input output voltage difference > 9V	Same as above
All LED constantly glow red with "Bee...Bee..." sound	Wrong battery type selected, or battery broken.	Reconnect the power supply. Select the right battery type, or check the battery carefully.



MAX CHARGE CURRENT

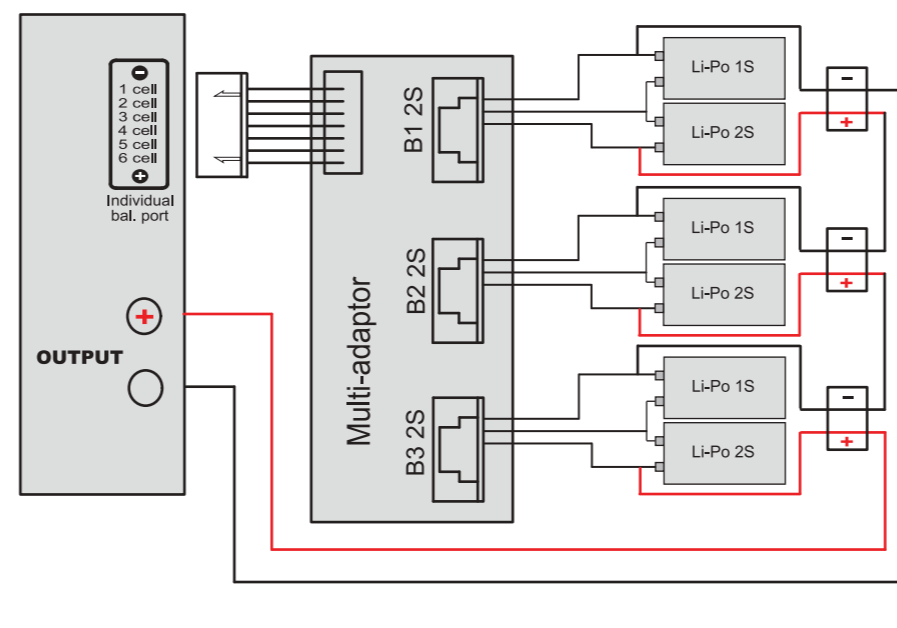
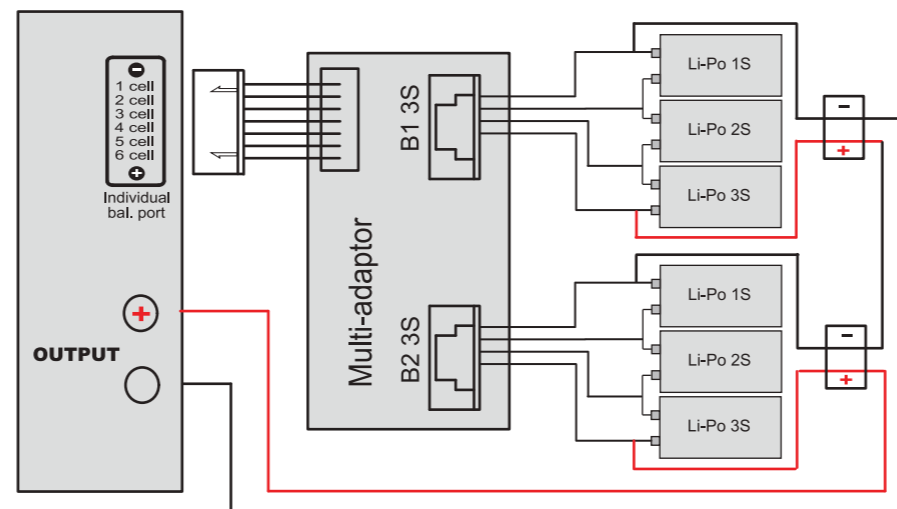
Battery Type	No. of Cells	Rated Voltage(V)	Max Charge Current(A)	
			10A/80W	6A/50W
LiPo	1	3.7	10	6
	2	7.4	10	6
	3	11.1	7.2	4.5
	4	14.8	5.4	3.3
	5	18.5	4.3	2.7
	6	22.2	3.6	2.2
LiFe	1	3.3	10	6
	2	6.6	10	6
	3	9.9	8	5
	4	13.2	6	3.7
	5	16.5	4.8	3
	6	19.8	4	2.5
Lilo	1	3.6	10	6
	2	7.2	10	6
	3	10.8	7.4	4.6
	4	14.4	5.5	3.4
	5	18	4.4	2.7
	6	21.6	3.7	2.3
LiPo	Voltage Level: 3.7V/cell Max Charge Voltage: 4.2V/Cell Discharge Voltage Cut off Level: 3.0V/cell or Higher			
LiFe	Voltage Level: 3.3V/cell Max Charge Voltage: 3.6V/Cell Discharge Voltage Cut off Level: 2.0V/cell or Higher			
Lilo	Voltage Level: 3.6V/cell Max Charge Voltage: 4.1V/Cell Discharge Voltage Cut off Level: 3.0V/cell or Higher			

WARNING AND NOTES

- ▼ CRC C6S(C4S) is ONLY suitable for charge rechargeable LiPo, LiFe and Lilo batteries. Do not attempt to recharge dry cells. Charge other types of batteries may cause fire or explosion.
- ▼ Never leave the charger unattended when it is working.
- ▼ The prescript DC input voltage range from 11-18V. Never connect it to any other power supply which is unsuitable.
- ▼ Protect charger from dust, dirt and damp.
- ▼ Never place the charger and batteries connected to it on any form of flammable surface. Never operate the charger in the vicinity of inflammable material or gas.
- ▼ Ensure that there is an unrestricted airflow to and from the charger's cooling slots.
- ▼ Take great care to maintain correct battery polarity, and avoid shot-circuit. Read the battery manufacturer's instructions and adhere to them strictly.

MULTI BATTERY CHARGE

You can charge and balance several Lithium batteries at the same time, by using optional 'Multi-board adaptor' (*). Please note that the battery packs being charged should have same capacity and cell-count.



WARRANTY

CRC provide a period of one year product warranty from the date of purchase. The warranty only applies to material or operational defects, which are present at the time of purchase.

LIABILITY EXCLUSION

C6S(C4S) is designed and approved exclusively for charge the types of battery stated in this manual. CRC do not accept any liability if the charger is used for any purpose other than that stated. We are unable to ensure you follow the instructions come with the charger, and we have no control over the methods you employ for using, operating and maintaining this device. For this reason we are obliged to deny the liability for loss, damage or costs which are incurred due to the incompetent or incorrect use and operation of this product, or which are connected with such operation in any way. Unless otherwise prescribed by law, our obligation to pay compensation, regardless of the legal argument employed, is limited to the invoice value of those CRC products which were immediately and directly involved in the event in which the damage occurred.

CONFORMITY DECLARATION

CRC C6S(C4S) satisfies all relevant and mandatory EC directives and FCC Part 15 Subpart B: 2008. The product has been tested to meet the following technical standards:

Application	Test Standard	Title	Result
CE-LVD	EN60335	For safety of household and similar electrical appliances.	Conform
CE-EMC	EN55014-1:2006	Electromagnetic compatibility-Requirements for household appliances,electric tools and Similar apparaturs - Part 1: Emission	Conform
	EN55014-2:1997 +A1:2001	Electromagnetic compatibility-Requirements for household appliances,electric tools and Similar apparaturs - Part 2: Immunity-Product family standard	Conform
	EN61000-6-1(2007)	Electromagnetic compatibility (EMC) -- Part 6-1: Generic standards - Immunity for residential, commercial and light-industrial environments.	Conform
	EN61000-6-3(2007)	Electromagnetic compatibility (EMC) -- Part 6-3: Genericstandards - Emission standard for residential, commercial andlight-industrial environments.	Conform
FCC-VOC	FCC Part 15B	Electromagnetic compatibility (EMC), Conduction Emission & Radiation Emission	Conform

SPECIFICATION

Operating Voltage: DC 11-18 V
 Charge Power: Max.80W@12V
 Battery Type: Lipo/LiFe/Lilo 1-6s
 Charge Current: 0.5-10A(Adjust)
 Balancing Current: 400mA/cell
 Weight: 130g
 Dimension: 116x77x30mm



This symbol means that you must dispose of electrical devices from the general household waste when it reaches the end of its useful life. Take your charger to your local waste collection point or recycling centre. This applies to all countries of the European Union, and to other European countries with a separate waste collection system.